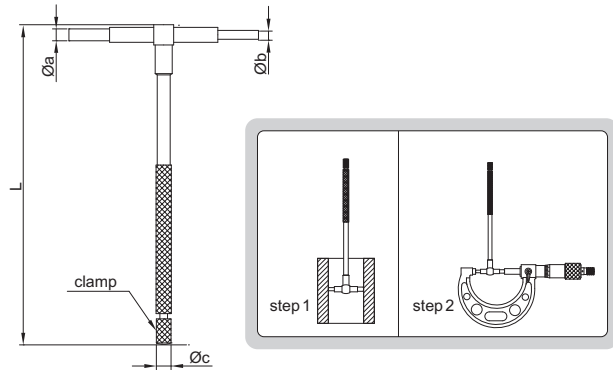


TELESCOPING GAUGE SET



(mm)

Range	L	Øa	Øb	Øc
8-12.7mm	115	3.9	2.9	6.2
12.7-19mm	115	5.3	3.8	6.2
19-32mm	115	5.3	3.8	6.2
32-54mm	137	7.6	6.1	7.2
54-90mm	137	7.6	6.1	7.2
90-150mm	137	7.6	6.1	7.2

Code	Total range	Gauges included
4206-1	8-150mm	8-12.7mm, 12.7-19mm 19-32mm, 32-54mm 54-90mm, 90-150mm



4206-1

- 6 gauges per set
- For quick measurement of inside diameter of holes and width of slots
- Satin chrome finish